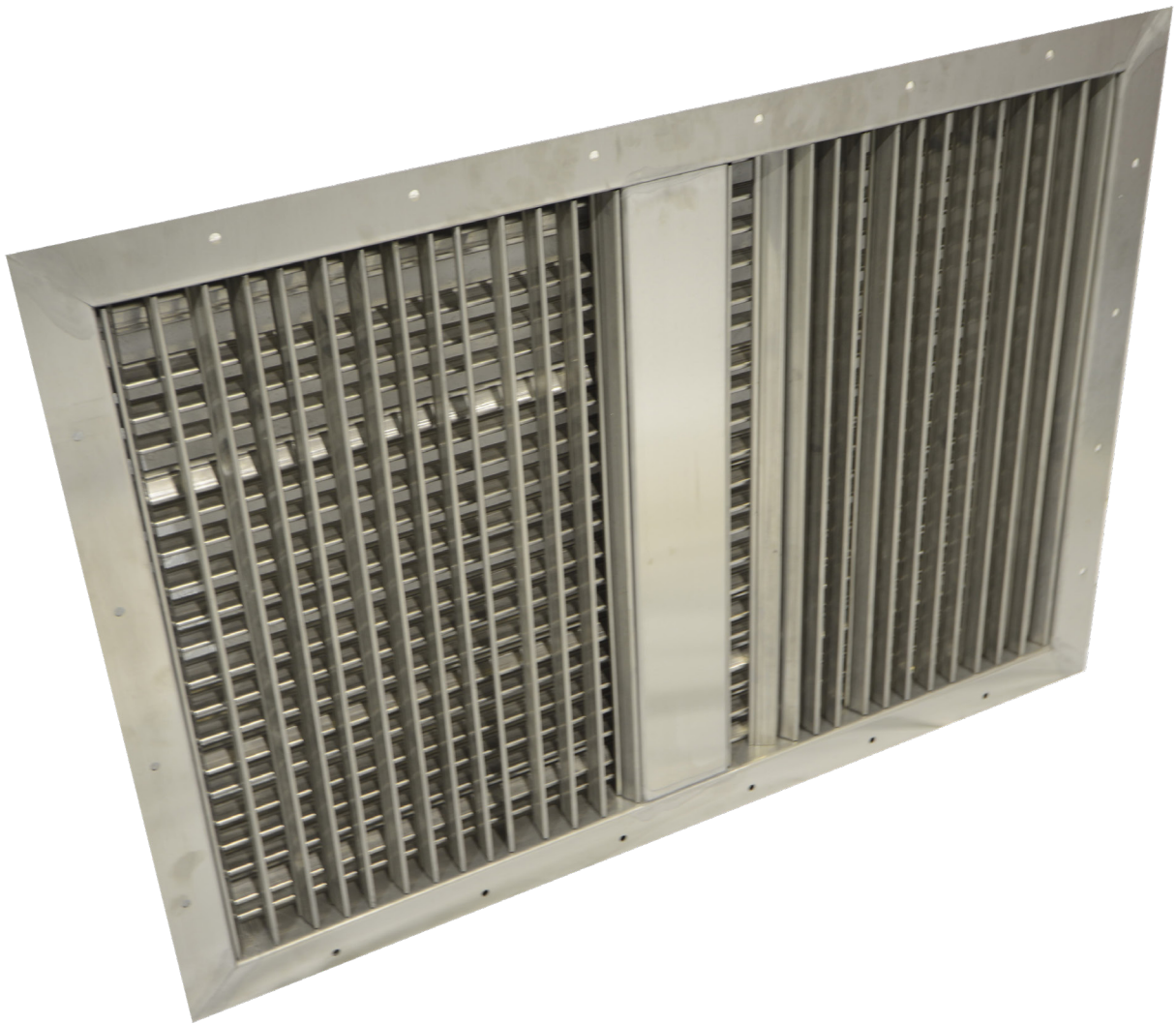


## Grilles

Wozair Grilles are mounted at the end of the duct to supply extract air directly in a straight manner.



## Grilles

Wozair manufacture a comprehensive range of all Stainless Steel grilles designed specifically for the Medical, Leisure, Marine, Nuclear and Offshore industries as well as other industrial applications including tunnels and car parks, where corrosion resistance, integrity, hygiene and aesthetics are of prime importance.

Standard finish is mechanically brush finished although special finishes are available upon request. Wozair are also able to offer grilles manufactured in extruded Aluminium for areas with conditioned air such as offshore living quarters.

Standard finish is polyester powder coated to RAL 9010 although other colours are available upon request.

## Features & Benefits

Frames are folded angle section with welded mitred corners. Flanges are punched for bolting or fixing to ductwork, masonry, timber frames, doors, etc.

Supply grille blades are a unique roll formed aerofoil section, retained in position with coiled pins which prevent rattling and maintain the position once set at the desired attitude. Each blade is individually adjustable, type ADD and ASD grilles.

Optional opposed blade dampers are available on grilles in the range. Blades are single skin, linked to provide opposed motion and adjustable through the front face of the grille. The gear ratio ensures that airflow through the grille cannot move the blade setting.

The damper is constructed entirely in Stainless Steel. If required plenum boxes or neck reducers can be supplied manufactured in either Stainless Steel or Galvanised Sheet Steel.

## Range of Grilles

### ADD

Adjustable Double Deflection with front blades horizontal, rear blades vertical

### ASD

Adjustable Single Deflection with blades horizontal or vertical

### FSD

Fixed Single Deflection with blades horizontal or vertical

### FSD45

Fixed Single Deflection with blades angled at 45°

### FEC

Fixed Eggcrate Core

### FPF

Fixed Perforated Face

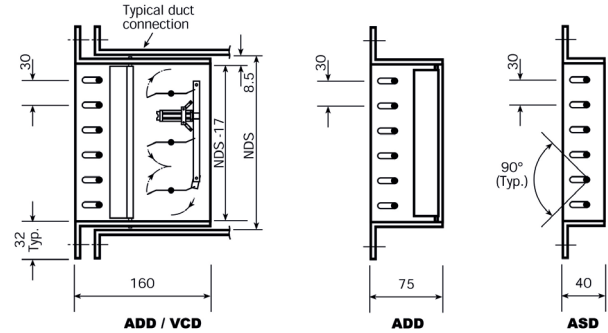
Special types available upon request

## Adjustable Extract Grilles

### Dimensions (mm) and Types:

- Minimum nominal height and width 150mm
- Flange 32mm type with 8mm  $\varnothing$  plain holes on 20mm back mark

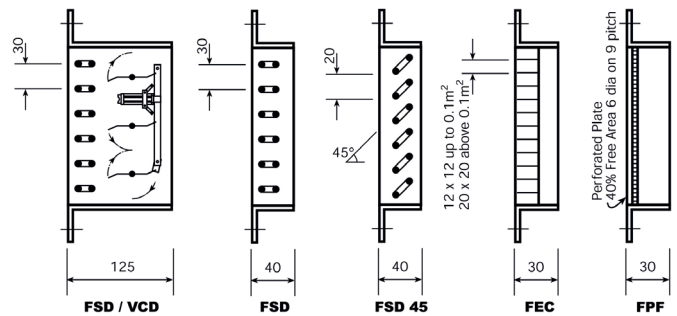
These can be supplied complete with integral opposed blade damper section. Add 85mm to length and ref. “/VCD” to grille code



## Fixed Supply Grilles

### Dimensions (mm) and Types:

- Minimum nominal height and width 150mm
- Flange 32mm type with 8mm  $\varnothing$  plain holes on 20mm back mark



## Materials of Construction

### Casing and Flanges:

#### Materials

Stainless Steel 304L/316L (1.4307/1.4404)

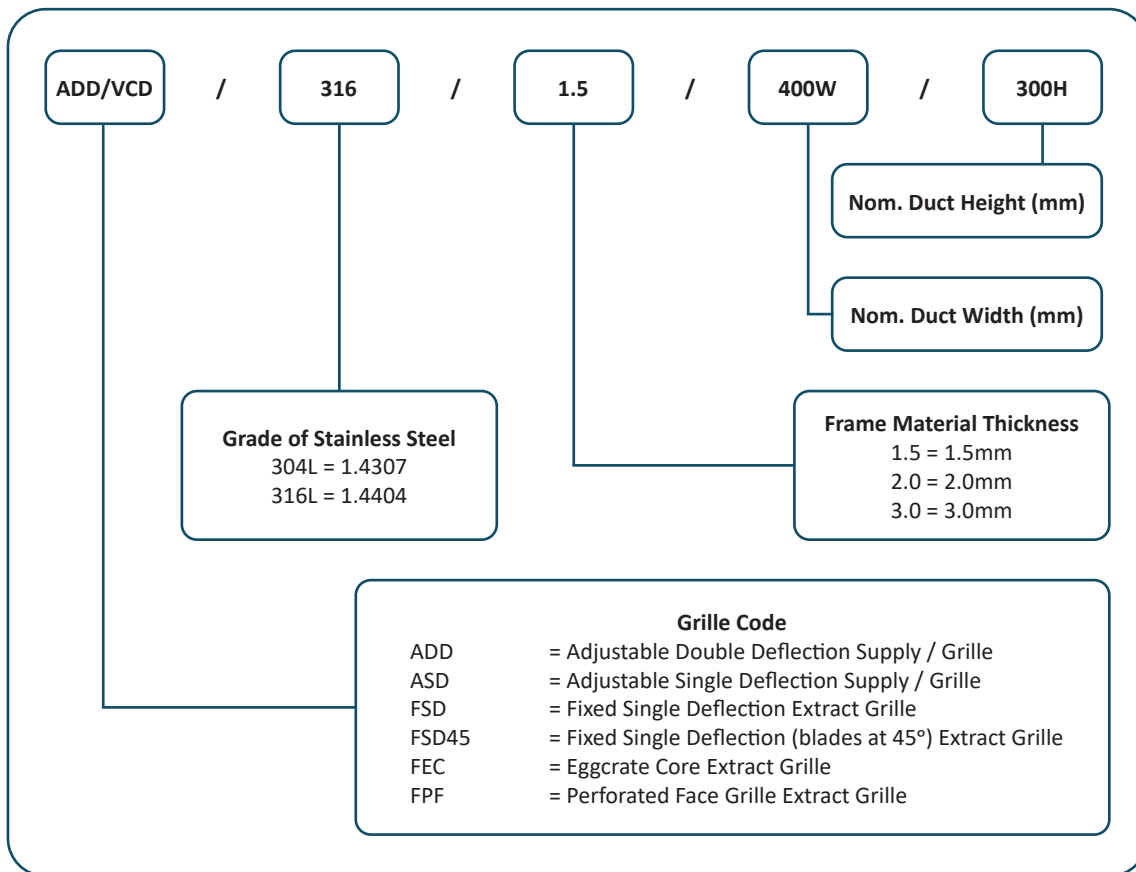
## Performance Example ADD

Grille Dimensions (mm)		Noise Criterion (NC) Level *	Airflow	
Width	Height		l/s	m3/hr
200	100	28	105	378
		33	125	450
		38	145	522
		43	180	648
		48	215	774
600	300	28	830	2988
		33	995	3582
		38	1200	4320
		43	1460	5256
		48	1750	6300
1200	400	28	2000	7200
		33	2450	8820
		38	2900	10440
		43	3500	12600
		48	4200	15120

## Performance Example FSD

Grille Dimensions (mm)		Noise Criterion (NC) Level *	Airflow	
Width	Height		l/s	m3/hr
200	100	28	235	846
		33	270	972
		38	320	1152
		43	370	1332
		48	430	1548
600	300	28	605	2178
		33	700	2520
		38	810	2916
		43	945	3402
		48	1100	3960
1200	600	28	1020	3672
		33	1180	4248
		38	1400	5040
		43	1600	5760
		48	1890	6804

## Ordering



## Wozair Limited

Grosvenor Road  
Gillingham Business Park  
Gillingham  
Kent  
ME8 0SA  
United Kingdom

**Phone** +44 (0)1634 790 336

**Email** [hvac@wozair.com](mailto:hvac@wozair.com)

## Wozair (USA) Ltd

3601 North Loop  
336 West  
Conroe  
Texas  
77304  
United States of America

**Phone** +1 936 521 5990

**Email** [houstonhvac@wozair.com](mailto:houstonhvac@wozair.com)

## Wozair (Asia) Pte Ltd

2 Venture Drive  
8-23 Vision Exchange  
608526  
Singapore

**Phone** +65 6890 6506

**Email** [hvac@wozair.com.sg](mailto:hvac@wozair.com.sg)

## Wozair Middle East

JAFZA One  
Tower B, Office 1316  
Jebel Ali Free Zone  
Dubai, UAE  
P.O. Box 262404

**Phone** +971 (0) 4 887 0147

**Email** [dubaihvac@wozair.com](mailto:dubaihvac@wozair.com)