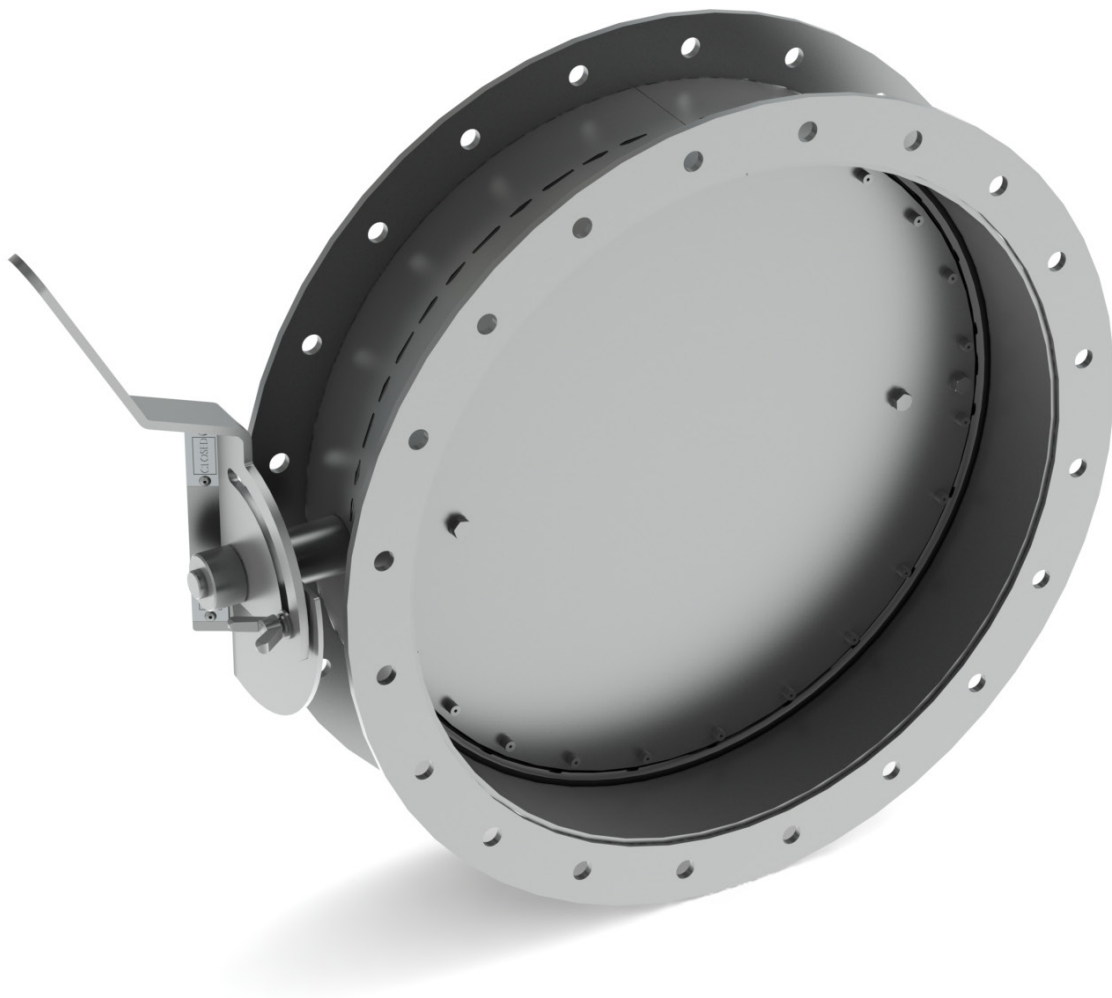


Butterfly Isolation Damper (BID)

Wozair manufactures a range of high integrity butterfly isolation dampers suitable for use in a wide range of critical ventilation applications.



Butterfly Isolation Damper

A range of high integrity dampers has been designed to meet the requirements of the nuclear industry, where low case leakage, corrosion resistance and mechanical integrity are of prime importance.

The following design features have been included:

- Continuously welded construction
- Single blade
- Low casing leakage
- Low blade leakage
- Manual, pneumatic, or electric operation
- Wide range of materials
- Excellent corrosion resistance

Rolled casing manufactured from 1.5mm minimum thick material, with welded seam, length over flanges minimum 100mm. Welded flanges 25 x 6mm thick drilled to standard nuclear specification pattern. A single 2mm thick circular butterfly blade with a one piece neoprene seal, bolted to 19mm diameter shaft that rotates in sealed 'oilite' bearings. The shaft is extended on one side for actuator mounting.

Control Mechanism

Manual Isolating Damper

This is operated by a robust adjusting handle with a locking device which moves across a quadrant plate. Moving the handle through 90° moves the blade from the fully open to the fully closed position, thereby enabling the unit to be used for volume control purposes if necessary.

Pneumatic and Electric Options

These are operated by actuators which move the blade from the fully open to fully closed position.

Micro-switches, indicating blade position are also available. These units are designed to be fully open or fully closed.

Leakage Rates

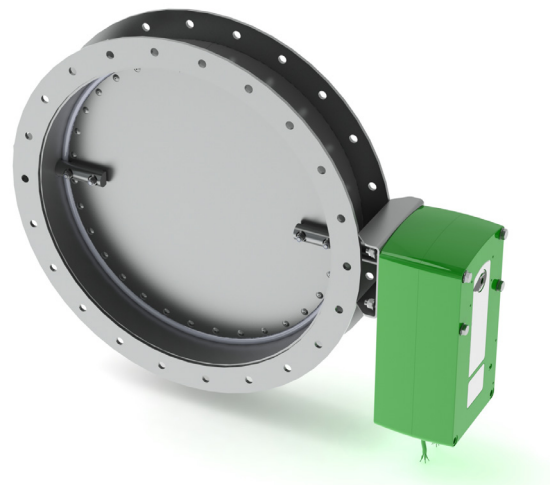
The isolation damper has been designed to minimise leakage with the blade in the closed position. Extensive testing on 350 diameter Nuclear HEPA filter Isolation Dampers has indicated a mean leakage rate of 0.0001 m³/sec at a differential pressure of 10,500Pa.

Specific requirements regarding leakage should be discussed with Wozair engineers.

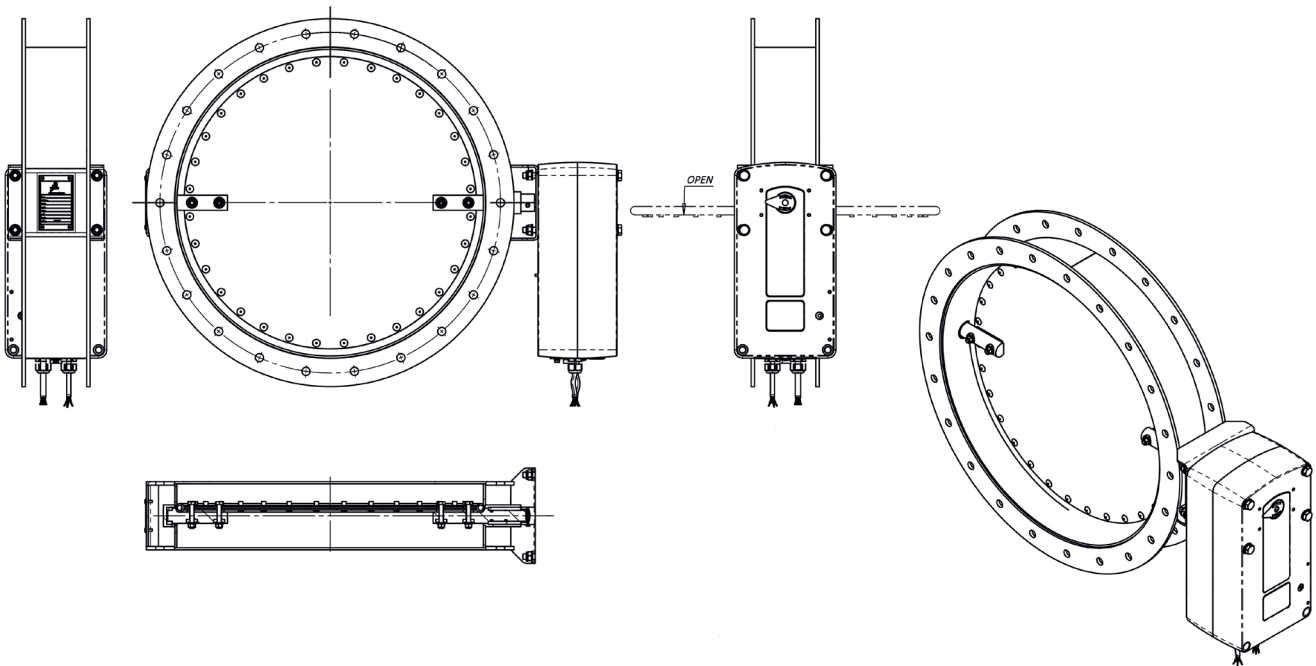
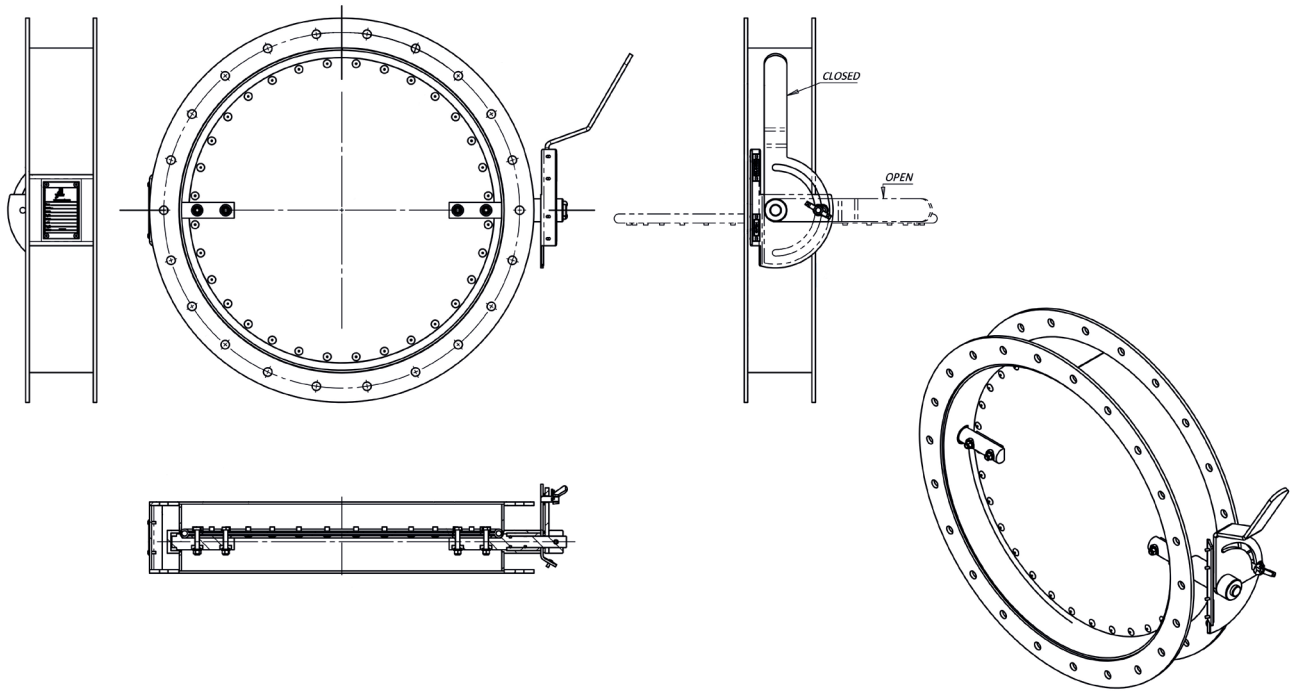
Ordering

Quantities, surface finish and other special requirements to be stated separately.

Type: BID	Duct Diameter: 356Ø
Material: 316L	Case Depth: 100D
Type Wozair: Butterfly Manual Isolation Damper	
Case Material: <u>Stainless Steel</u>	
Low Carbon	1.4307 (SS304L) = 304L
Low Carbon	1.4404 (SS316L) = 316L
Mo>2.5%	1.4432 (SS316L) = 316L
Case Thickness: 1.5 mm	
Nominal: Clear inside duct dimensions	
Duct Size: 'Quote' inside Diameter	
Order Code Example: BID/316L/1.5/356Ø/100D	



Dimension Drawing Examples



Wozair Limited

Grosvenor Road
Gillingham Business Park
Gillingham
Kent
ME8 0SA
United Kingdom

Phone +44 (0)1634 790 336

Email hvac@wozair.com

Wozair (USA) Ltd

3601 North Loop
336 West
Conroe
Texas
77304
United States of America

Phone +1 936 521 5990

Email houstonhvac@wozair.com

Wozair (Asia) Pte Ltd

2 Venture Drive
8-23 Vision Exchange
608526
Singapore

Phone +65 6890 6506

Email hvac@wozair.com.sg

Wozair Middle East

JAFZA One
Tower B, Office 1316
Jebel Ali Free Zone
Dubai, UAE
P.O. Box 262404

Phone +971 (0) 4 887 0147

Email dubaihvac@wozair.com